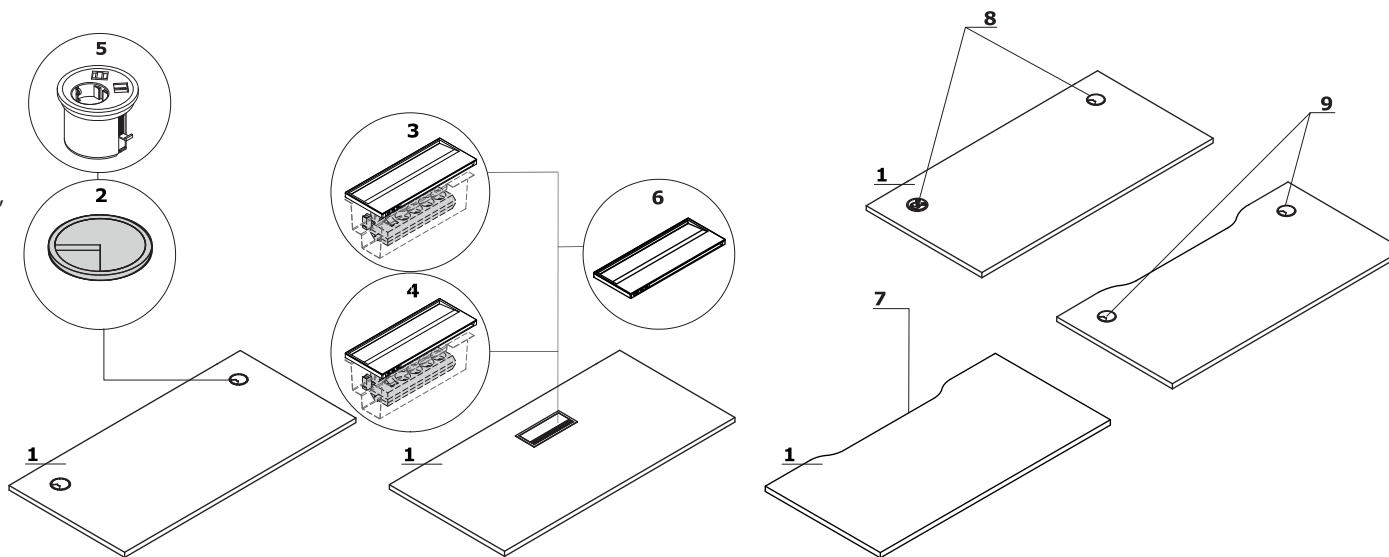


Worktop

1 Worktop - MFC 28 mm, ABS edge 2mm

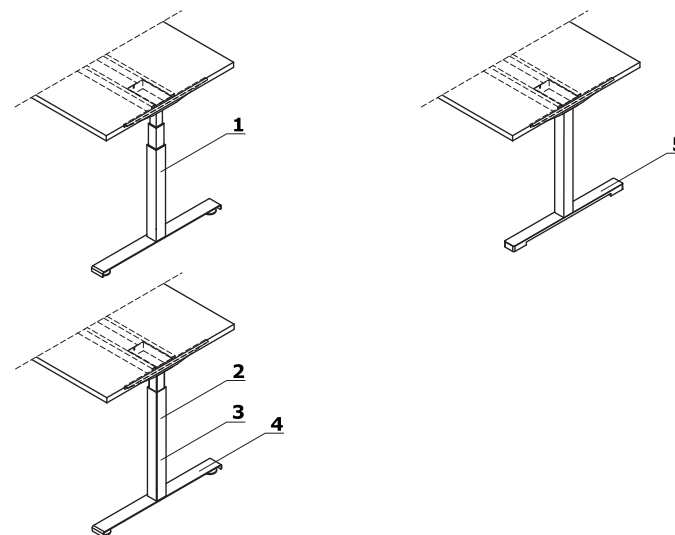
OPTIONS WITH EXTRA CHARGE:

- 2 Grommet** - 2 pcs, Ø 80 mm
- 3 Mediabox M14H** - 2xRJ45 (class E, cat. 6); +1 x USB + 3 x USB C + 1 x HDMI + 4x 230V
- 4 Mediabox M14** - 2xRJ45 (class E, cat. 6); +1 x USB + 3 x USB C + 4x 230V
- 5 Mediabox M071** - 1 x 230V + USB A charger + USB C charger, colour: black, white, mounted instead of the existing grommet Ø80mm (PK80)
- 6 Top access M15** - 3 x USB C
- 7 Cable way** - the width of the opening is proportional to the width of the worktop



Frame

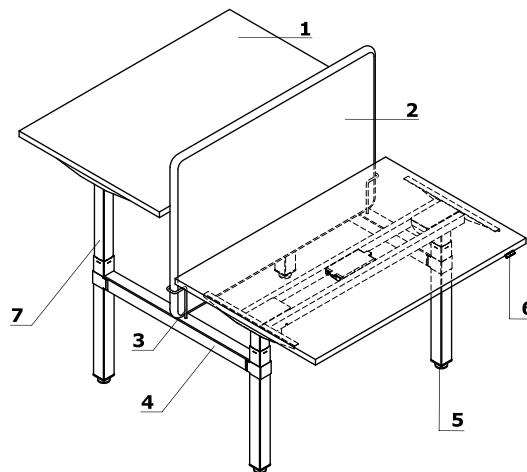
- 1 Ogi Drive with electric height adjustment** - in the range of 650–1300 mm, metal, powder coated, 3 profiles 50 × 50 mm, 55 × 55 mm and 60 × 60 mm
 - 2 Ogi Drive with electric height adjustment** - in the range of 700–1200 mm, metal, powder coated, 2 profiles 55 × 55 mm and 60 × 60 mm
 - 3 Ogi Drive with manual height adjustment** - metal, powder coated, 2 profiles 50x50 mm i 60x60 mm, adjustment in the range of 650-1000 mm
- Foot:**
- 4 Basic** - powder coated metal
 - 5 Pro** - aluminum, powder coated (58 €/ 2 pcs):
 - polished aluminium (56 €/ 2 pcs)



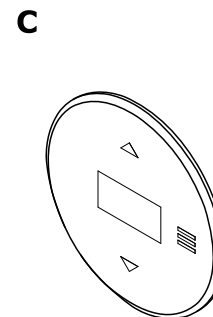
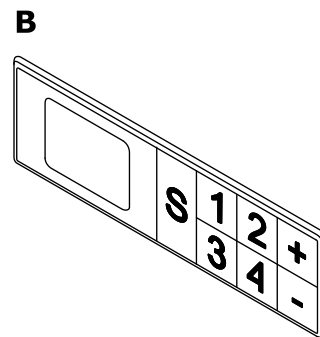
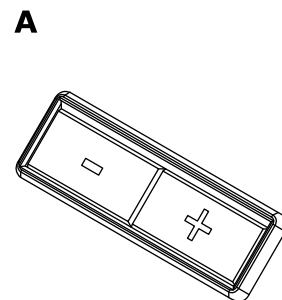
Electric height adjustable frame - Ogi Drive

Frame technical specification

- 1 Worktop** - MFC 28 mm, ABS edge 2mm
- 2 ZD Panel** - acoustic class A, zip fastener, pinable
- 3 Fixing element** - powder coated metal
- 4 Metal element for legs connecting**
- 5 Leveling feet** - range 5 mm
- 6 Control panel** - stepless height adjustment:
A - basic control panel; the sensitivity of the anti-collision system is set to Medium
B - OPTION WITH EXTRA CHARGE - up and down keypad with memory; the ability to change the sensitivity of the anti-collision system within 3 levels: Low, Medium, High
C - OPTION WITH EXTRA CHARGE - round control panel with memory; the ability to change the sensitivity of the anti-collision system within 3 levels: Low, Medium, High; mounted to the worktop
- 7 Electric height adjustable frame** - powder coated steel, load 100 kg, telescopic leg



- **Height adjustment** - 40 mm/sec Super Soft Start - Stop
- **Drive** - 2 synchronised motors with microprocessor, work control sensor
- **Noise level** - < 48dB
- **Anti colision mechanism**
- **Standards** - EN 527-2
- **EU Directives** - 206/95EC, UI508 1999, UL 1004 R7 06, WE DC 2004/108WE
- **Power supply** - 230V, 300W, power consumption on Standby - 0.3W



ATTENTION - distance between bench worktops 90 mm

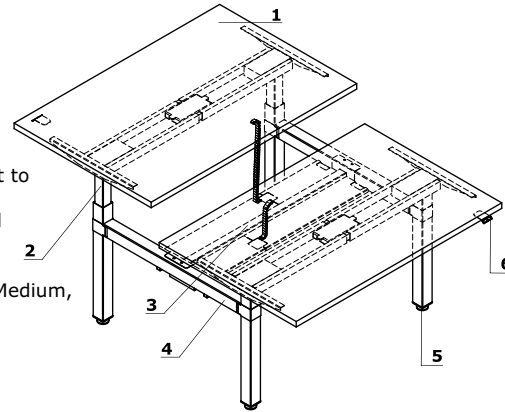
Electric frame with common cable tray - Ogi Drive

- 1 **Worktop** - MFC 28 mm, ABS edge 2mm
- 2 **Electric height adjustable frame** - powder coated steel, load 100 kg, telescopic leg
- 3 **Common cable tray + vertical cable organizer**
- 4 **Metal element for legs connecting**
- 5 **Leveling feet** - range 5 mm
- 6 **Control panel** - stepless height adjustment:

A - basic control panel; the sensitivity of the anti-collision system is set to Medium

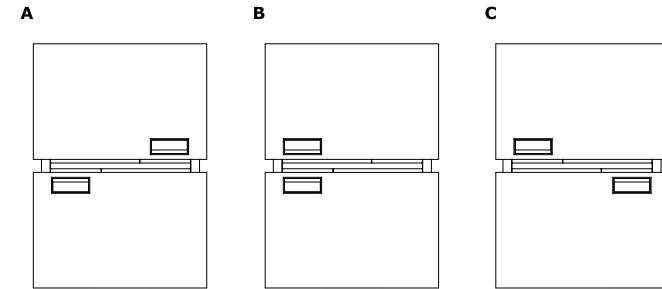
B - OPTION WITH EXTRA CHARGE - up and down keypad with memory; the ability to change the sensitivity of the anti-collision system within 3 levels: Low, Medium, High

C - OPTION WITH EXTRA CHARGE - round control panel with memory; the ability to change the sensitivity of the anti-collision system within 3 levels: Low, Medium, High; mounted to the worktop



Mediabox location

- A** - left Mediabox
B - left/right mediabox
C - right mediabox



Hand crankframe - Ogi Drive

- 1 **Worktop** - MFC 28 mm, ABS edge 2mm
- 2 **ZD Panel** - accoustic class A, zip fastener, pinable
- 3 **Fixing element** - powder coated metal
- 4 **Metal element for legs connecting**
- 5 **Leveling feet** - range 5 mm
- 6 **Hand crank** - hidden handle, colour: black, stepless adjustment in the range of 650 - 1000 mm, rotation 2,25 mm, profiles 60 x 60 mm, 50 x 50 mm

